

# SERIF PD84324

## PENDANTS

PROJECT



### SPECIFICATION DETAILS

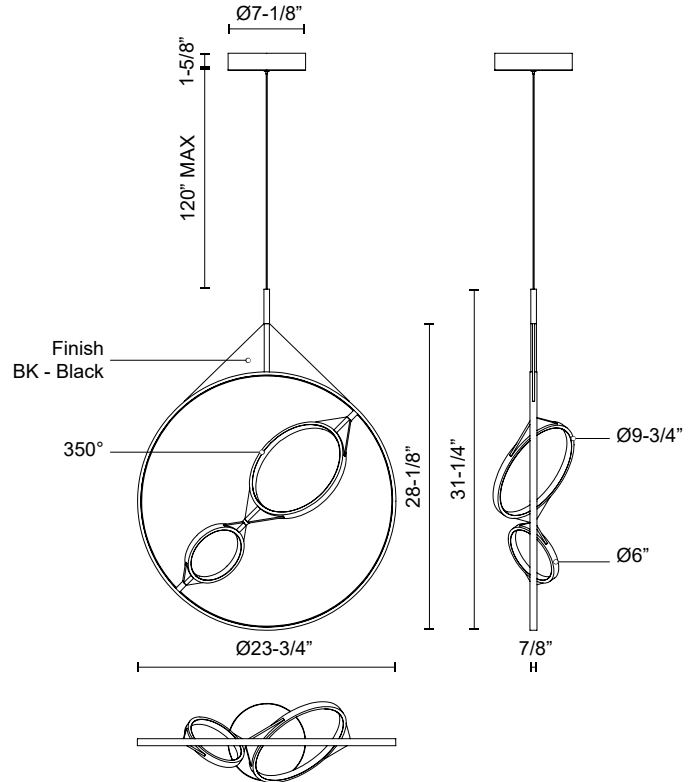
<b>Fixture Dimensions</b>	L23-3/4" x W7/8" x H31-1/4"
<b>Light Source</b>	LED with DC Driver
<b>Wattage</b>	40W
<b>Total Lumens</b>	3400lm
<b>Delivered Lumens</b>	BK-2405lm*
<b>Voltage</b>	120V
<b>Color Temperature</b>	3000K
<b>CRI (Ra)</b>	90CRI
<b>Optional Color Temps</b>	2700K - 5000K Available, Minimum Order Quantities Apply
<b>LED Rated Life</b>	50,000 hours
<b>Dimming</b>	100% - 10%, TRIAC or ELV Dimmer (Not Included)
<b>Diffuser Details</b>	Frosted Silicone Diffuser
<b>Adjustable</b>	Yes
<b>Wire Length</b>	120" Max
<b>Wire Type</b>	Black Coaxial Wire
<b>Minimum Hang Height</b>	36"
<b>Sloped Ceiling Adaptable</b>	Yes
<b>Location</b>	Dry
<b>CEC Title 24 JA8</b>	Yes, JA8-2022
<b>Canopy Dimensions</b>	D7-1/8" x H1-5/8"
<b>Finish Option(s)</b>	Black
<b>Paint Finish</b>	BK02

\* For custom options, consult factory for details.

\* For warranty information, please visit [www.kuzcolighting.com/warranty](http://www.kuzcolighting.com/warranty)

### DESCRIPTION

The Serif Collection features clean, angular geometrics colliding in harmony. Minimal yet impactful, the rings of light seem to float organically in air. Each piece of the Serif Collection is adjustable to fit your style, from minimal and clean uniform rings, to free-form. This versatility makes it the perfect mixture of both two- and three-dimensional art depending on the ring formations you create.



# KUZCO

CANADA: 19054 28TH AVENUE - SURREY, BC V3Z 6M3

USA: 3035 E. LONE MOUNTAIN ROAD - LAS VEGAS, NV 89081

[WWW.KUZCOLIGHTING.COM](http://WWW.KUZCOLIGHTING.COM)

© 2021 KUZCO LIGHTING. ALL RIGHTS RESERVED.

### COMMENT

